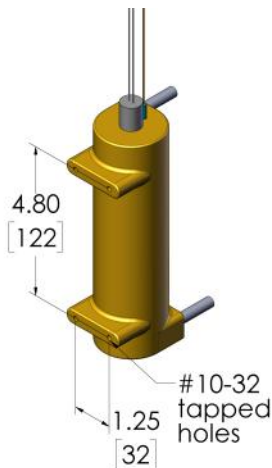
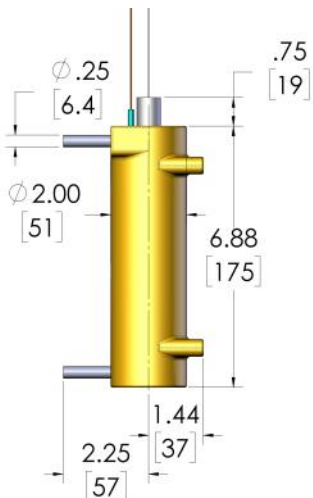
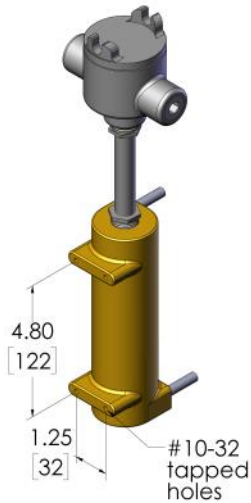
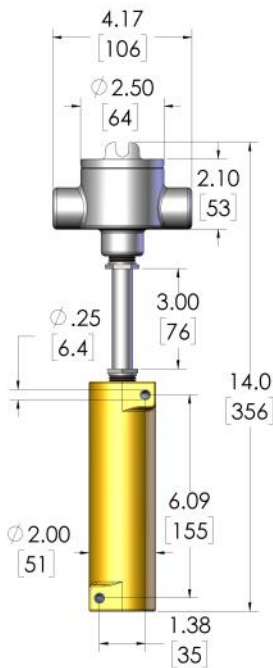


CAST-X High Temp 500 Circulation Heater



With Enclosure



Without Enclosure

SPECIFICATIONS:

Power:

- Up to 1500 W
- Voltage Range: 120 - 480 V

Tubing:

- .250" OD (1/4") (6.3 mm) .049" Wall (1.2 mm)
- Overall Process Tube Length: 84" (213 cm)
- Inconel 625 material
- Max Pressure: 10700 psi (737 bar)

Heater Body Material:

- Cast Bronze

Enclosures:

- Certified Water-Resistant (NEMA 4) and Explosion Proof (Class 1, Div 1 & 2, Grp. B, C, D; Class 2, Div 1, Grp. E, F, G; Class 2 Div 2, Grp. F, G; Class 3)
- No Enclosure Option also available

Max Working Temperatures:

- No Enclosure: 1112°F (600°C)
- NEMA 7 Enclosure: 1112°F (600°C)

Temperature Sensors:

- K or J Type Thermocouple Available (Qty. 1)
- TC is integrated into heating element

Available Accessories:

- Insulating Jacket: Part Number 307-0-27-1 Temp Rating: 1482°F (800°C)
- Compression Fittings: Part Number 274-55-6-1 High Pressure Pair (shipped loose), by Swagelok



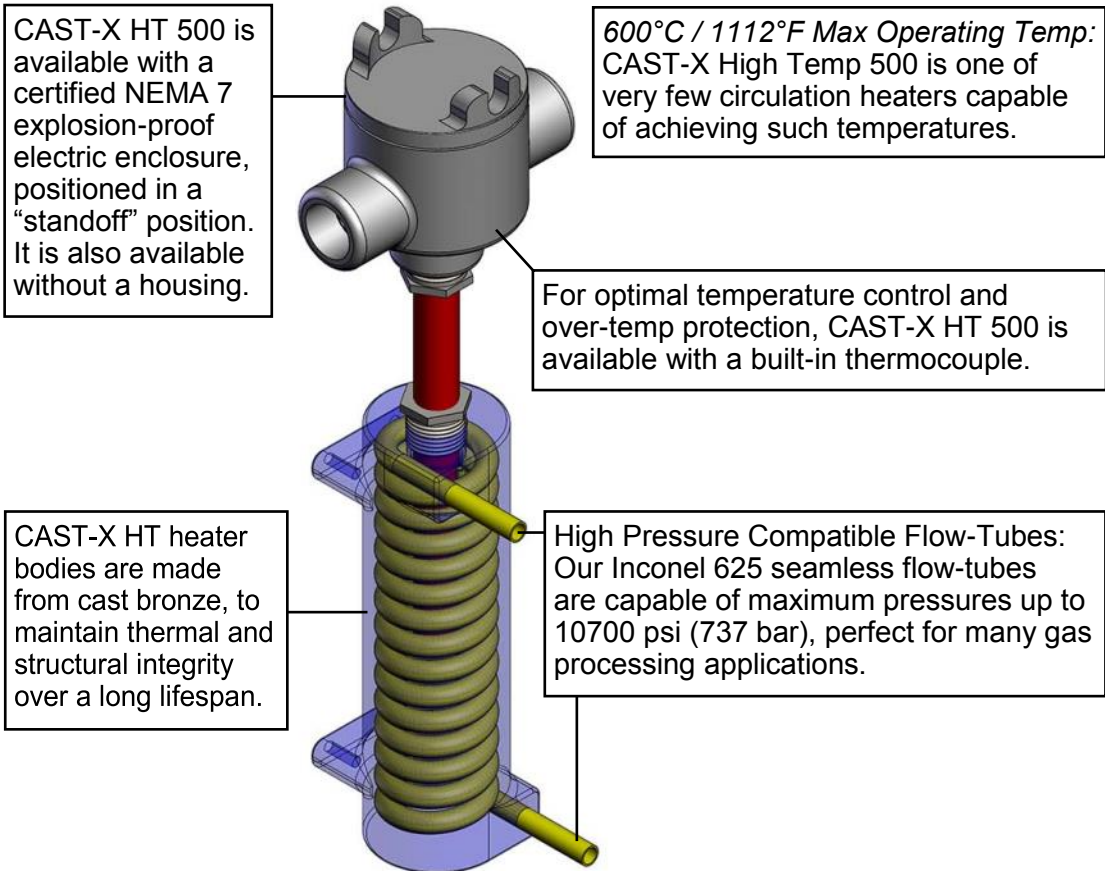
**CAST-X High Temp 500
With Optional
Insulating Jacket**



CAST ALUMINUM
Solutions

CAST-X High Temp 500 Circulation Heater

Features and Benefits



Cast Aluminum Solutions. LLC
1310 Kingsland Drive
Batavia, IL 60510 - USA

Tel: 630-879-2696
Toll Free: 888-367-3992

www.CastAluminumSolutions.com
Sales@CastAluminumSolutions.com



CAST ALUMINUM
Solutions