

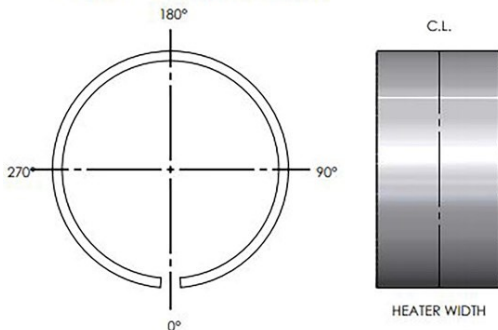
BAND HEATER CONFIGURATION FORM

Dimensions	Specifications	Construction
I.D. _____ <input type="checkbox"/> IN / <input type="checkbox"/> MM Width _____ <input type="checkbox"/> IN / <input type="checkbox"/> MM	Voltage _____ Wattage _____ <input type="checkbox"/> Dual Voltage <input type="checkbox"/> 3-Phase Operating Temp _____	<input type="checkbox"/> One Piece (Standard) <input type="checkbox"/> Two Piece Voltage Per Half _____ Wattage Per Half _____ <input type="checkbox"/> Expandable (>3" Width) <input type="checkbox"/> Hinged

Clamping	Terminations	Additional Options
<input type="checkbox"/> Standard Strap <input type="checkbox"/> Full Strap <input type="checkbox"/> Welded on Barrel Nut <input type="checkbox"/> Flange <input type="checkbox"/> Wedge Lock Up <input type="checkbox"/> Spring Loaded	<input type="checkbox"/> Standard Hi-Temp Fiberglass Leads <i>(specify options below)</i> <input type="checkbox"/> SS Overbraid <input type="checkbox"/> SS Conduit /Armored <input type="checkbox"/> Right Angle Cap <input type="checkbox"/> Ground Wire <input type="checkbox"/> Spring Guard <input type="checkbox"/> Strain Relief <input type="checkbox"/> Lead Length: _____ <input type="checkbox"/> Post Terminals <i>(specify options below)</i> <input type="checkbox"/> Terminal Box <input type="checkbox"/> Ground Post <input type="checkbox"/> Ceramic Terminal Covers <input type="checkbox"/> Other <i>(specify)</i> <input type="checkbox"/> Button Terminals <input type="checkbox"/> Euro Plug	<input type="checkbox"/> SS Sheath <input type="checkbox"/> Internal Thermocouple <input type="checkbox"/> Type J <input type="checkbox"/> Type K <input type="checkbox"/> Bayonet Adapter <input type="checkbox"/> Custom Holes/Slots # Of Holes _____ Hole Diameter _____ Hole Diameter _____

Please specify lead exit locations and placement of any custom holes.

ONE PIECE CONSTRUCTION



TWO PIECE CONSTRUCTION

